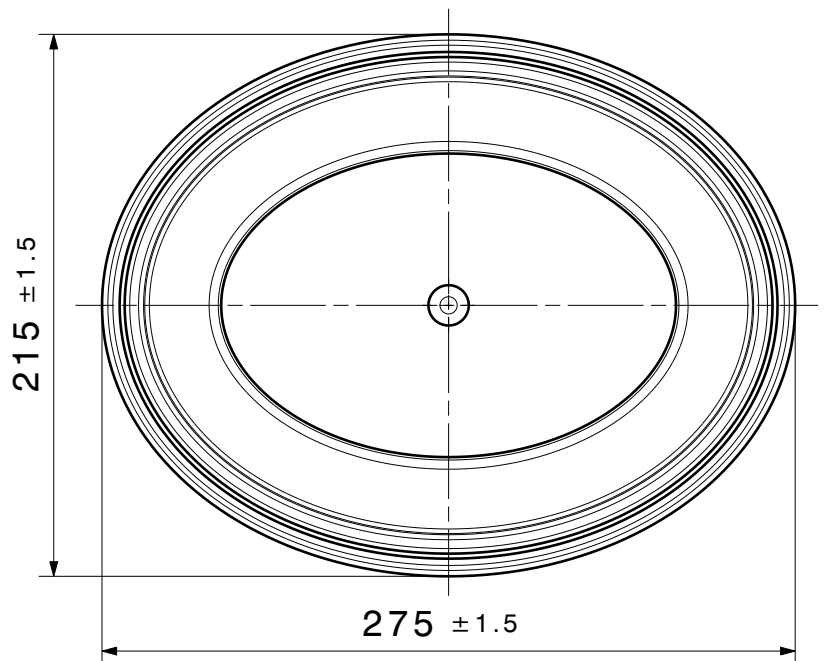
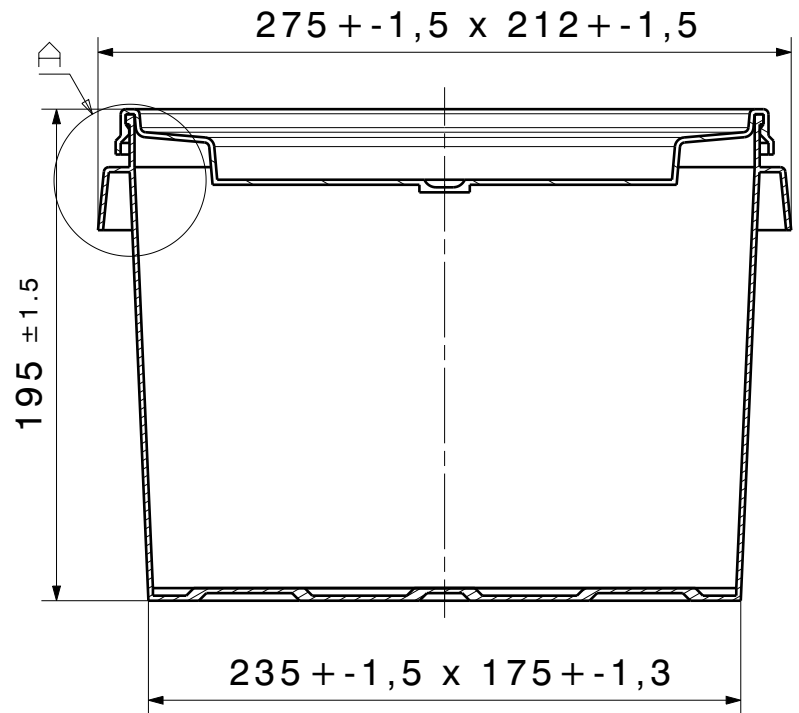
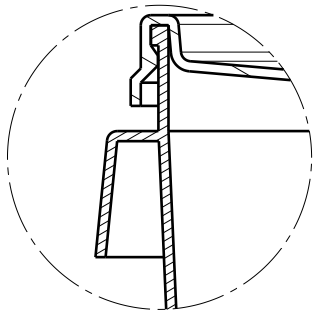


Detalj "A"

M: 2:3



<p>Nacrt je last Preplam d.o.o. in se ne sme razmnoževati, predajati ali izvajati brez pismene privolitve avtorja.</p> <p>Drawing is property of Preplam d.o.o. and must not be reproduced, hand over or executed without written permission of author.</p>				<p>Namjena proizvoda Gradevinska kanta</p>		<p>Vrsta površine Sjajna, alat poliran</p>		<p>Mjerilo: 1:3</p>		<p>Masa 273+-3g</p>	
				<p>Datum Risal 09.04.19 Pregl. 09.04.19 Stand.</p>		<p>Ime Pleger M. Marovt M.</p>		<p>Materijal: PPC 373</p>		<p>Boja Bijela</p>	
<p>preplam</p>				<p>List:</p>		<p>Nadom.</p>		<p>Nadom z.</p>		<p>L.</p>	
				<p>Ozn. Sprememba</p>		<p>Dne Ime</p>		<p>A4</p>			